

SONY.

Car Stereo Service Bulletin

CSA-14

Sony Service Company - Technical Services
A Division of Sony Electronics
Sony Drive, Park Ridge, New Jersey 07656

Model: XR-U220/U330

No. 294

Subject: Improving Clock Accuracy

Date: August 25, 1993

Symptom:

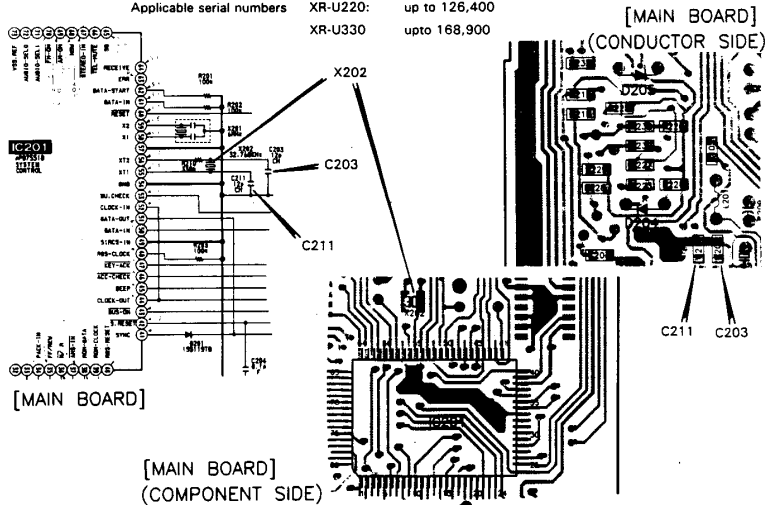
(13) The accuracy of the clock may be poor.

Solution: Replace X202, C203, and C211 on the Main board as shown below.

REF	FORMER		NEW	
	DESCRIPTION	PART NUMBER	DESCRIPTION	PART NUMBER
X202	VIBRATOR, CRYSTAL (32.768KHZ)	1-579-532-11	VIBATOR, CRYSTAL (32.768KHZ)	1-579-709-11
C203/ C211	CAPACITOR, CERAMIC CHIP (12PF)	1-163-229-11	CAPACITOR, CERAMIC CHIP (12PF)	1-163-229-11

*Same part number as original, but part has been improved.

Applicable serial numbers XR-U220: up to 126,400
XR-U330 upto 168,900



Reference: Technical News ME-93013
Autoflagged - NO



PRINTED IN USA
CSA-14893-3